

# Tumble dryer

## TD6-10



**Dryer featuring exceptional savings and effortless use**



### Priority on people

Certified ergonomic design with a human-centered approach for an outstanding user experience

- Reversible door hanging for a convenient laundry flow
- Easy access to vital parts from front and rear for simple servicing



### Long-term savings

Innovative features to save money and time, and embrace a sustainable lifestyle

- Moisture Balance (optional)  
Helps to stop the drying process at the right time to save on energy costs



### Pure control

Monitor your equipment and performance from anywhere, allowing to take action and to improve your business with OnE Laundry - the personal assistant for hygiene validation management, process management and revenue management (optional)



### Outstanding productivity

Dry more laundry in less time: a game-changing improvement

- Reversing drum  
Minimizes wrinkles and drying time to get an effective and even drying performance with 2 full loads per hour



### Global Advanced Hygiene

Global Advanced Hygiene program package\* with proven log 6 reduction\*\* disinfection of textiles through the laundry process, fulfilling the criteria of all local approved standards

### Main options and accessories

- Stainless steel base frame
- Connectable to booking-/payment system or coin meter
- Stainless steel drum, Stainless steel front



Images shown are a representation of the product only and variations may occur.

\* Programs available in the standard library of all products, excluding products for specific segments where water temperature is not controllable.

\*\* Log 6 reduction equals to 99,9999% viral infectivity reduction. The efficacy of reduction of SARS-CoV-2 and other pathogens in the process is confirmed by RISE (The Research Institute of Sweden) on the basis of Electrolux Professional laboratory data.

Main specifications			TD6-10			
Rated capacity, filling factor 1:18	kg/lb		10.6/23			
	kg/lb		8.6/19			
Drum volume	litre		190			
Drum diameter	mm		680			
Heating,	electric	kW	6.0/8.0			
	gas	BTU/h (kW)	20500/27300 (6.0/8.0)			
<b>Consumption data*</b>			El 6.0 kW	El 8.0 kW	Gas 6.0 kW	Gas 8.0 kW
Total time full load	min		35	27	36	29
Energy consumption full load	kWh		3.45	3.53	3.67	3.74
Evaporation	g/min		102	129	106	131
Energy kWh/litre water evaporated	kWh/l		0.92	0.94	-	-

\* At rated capacity 1:22, 100% cotton load at 50% initial moisture dried to 0%.

Electrical connections					
Heating alternative	Main voltage		Heating power kW	Total power kW	Recommended fuse A
		Hz			
Electric heated	220-240V 1/1N -	50/60	6.0/8.0	6.4/8.4	35/50
	220-240V 3 -	50/60	6.0/8.0	6.4/8.4	20/25
	380-415V 3N/3 -	50/60	6.0/8.0	6.4/8.4	10/16
	440V 3 -	60	6.0/8.0	6.4/8.4	10/16
	480V 3 -	60	6.0/8.0	6.4/8.4	10/16
	115V 3 -	60	4.1	4.5	25
Gas heated	220-480V 1/1N/3/3N -	50/60	*	0.4	10

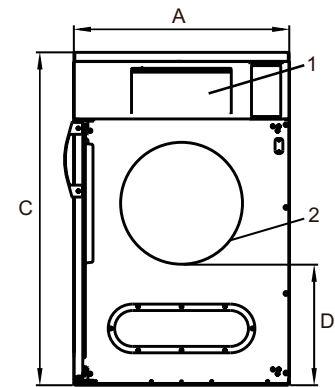
\* Total power and recommended fuse does not depend on the heating power in those cases.

Gas and air connections			TD6-10
Gas		ISO 7/1-R	1/2"
Gas pressure	Natural gas	Pa	2000
		mbar	20
	Propane	Pa	2800-5000
		mbar	30
Air outlet		ø mm	125
Evacuated air	6.0 kW	m <sup>3</sup> /h	270
	8.0 kW		290
Pressure drop	6.0 kW	Max. Pa	380
	8.0 kW		350
Sound levels			
Sound power/pressure level at drying*		dB(A)	67/53
Heat emission			
% of installed power, max			15
Shipping data**			
Weight		net, kg	99
Shipping volume		m <sup>3</sup>	0.83
Dimensions in mm			
A	Width		720
B(a)	Depth (Gas)		805
B(b)	Depth (EI)		765
B(c)	Depth		750
C	Height		1115
D			405
E			45
F			180
G			90
H			115
I			80
J			560
1	Operating panel		
2	Door opening ø 400 mm		
3	Electrical connection		
4	Gas connection		
5	Exhaust connection		

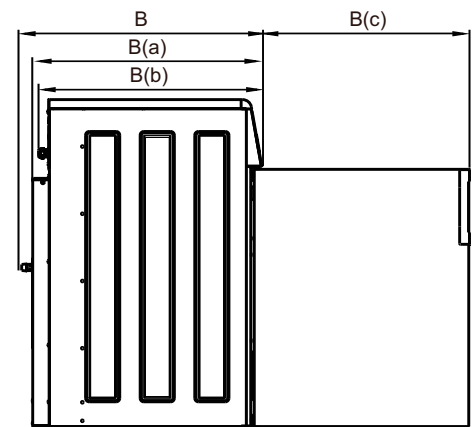
Front and side panes in silver grey and door handle in dark blue (color samples can be ordered on part number 472998313).

\* Sound power levels measured according to ISO 60704.

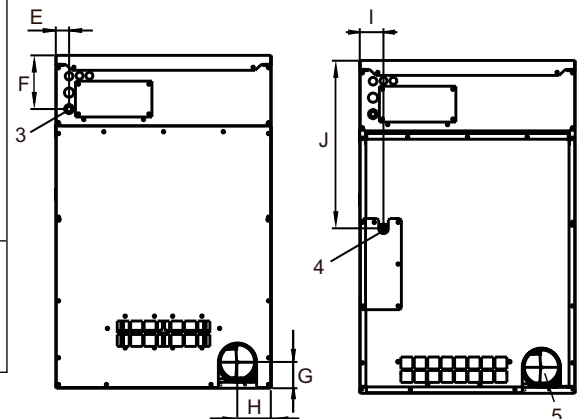
\*\* Average data. Crated weight/shipping volume depends on configuration. Please contact logistics for exact measures.



Front



Left side



EI

Gas

Rear side